

INVISIRAIL LITE 10  
 NYLON GLASS  
 CONNECTOR

6' MAX

1  
 S2

INVISIRAIL VISTI  
 2.25" X 2.25" ALUMINUM POST

1  
 S3

INVISIRAIL LITE 10  
 NYLON GLASS CONNECTOR

INVISIRAIL 10mm  
 TEMPERED GLASS PANEL

1  
 S4

42"

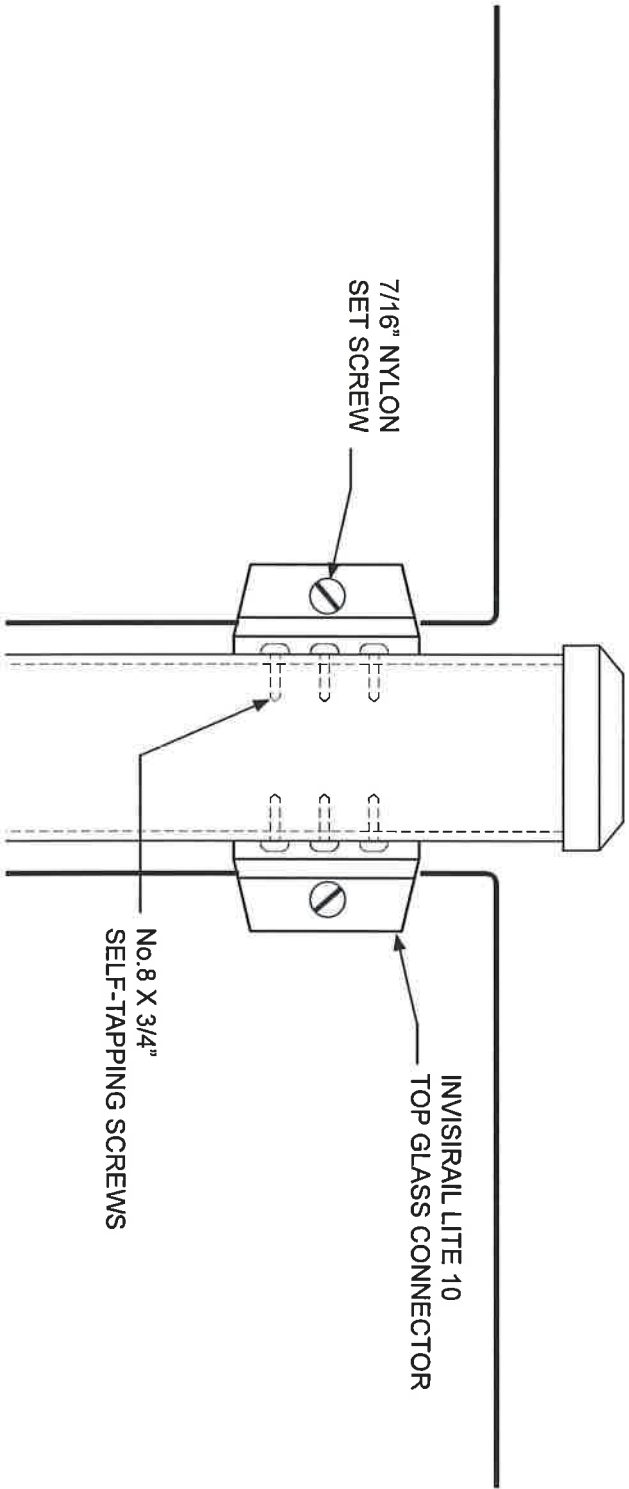
1  
 S1

GLASS GUARD w/  
 ALUMINUM POSTS



FOR PRODUCT INQUIRIES  
 CONTACT LIV BUILDING  
 PRODUCTS AT  
 905-852-3733


SCALE:		ENGINEER'S SEAL		PROJECT:	
DATE:		 GLASS RAIL SYSTEM		PROJECT No.:	
JUNE 2019					
DRAWN		CHECKED		S1	

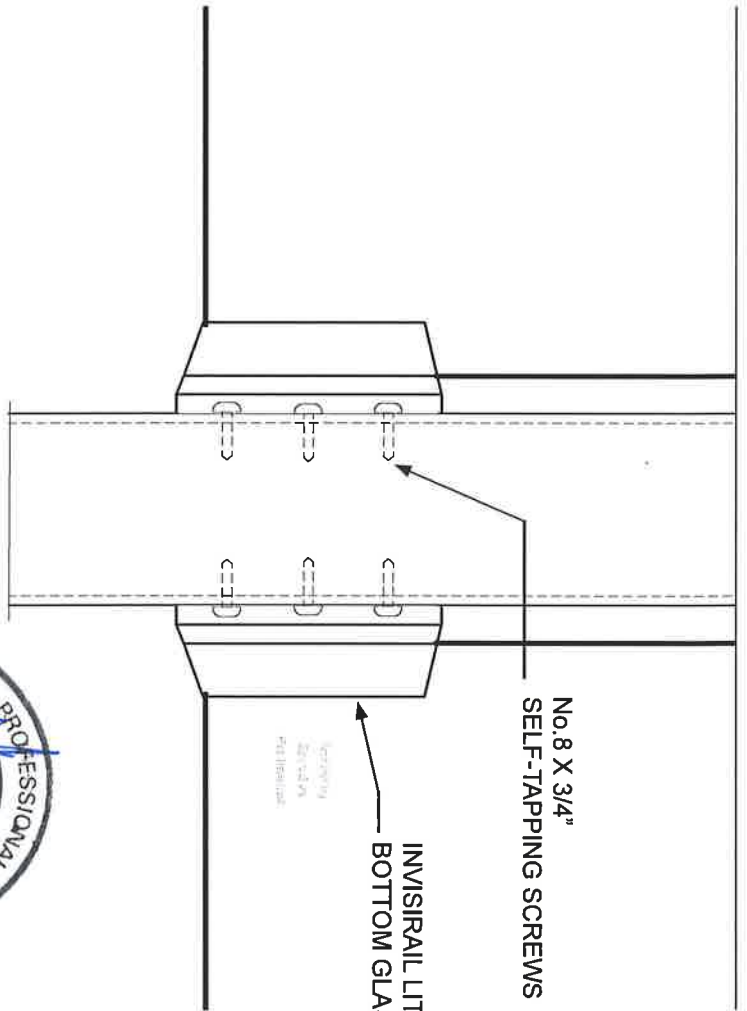


1 TOP CONNECTION DETAIL  
 S2 AT POST



FOR PRODUCT INQUIRIES  
 CONTACT LIV BUILDING  
 PRODUCTS AT  
 905-852-3733

SCALE:		ENGINEER'S SEAL		PROJECT:	
DATE: JUNE 2019					
DRAWN	CHECKED				
				S2	



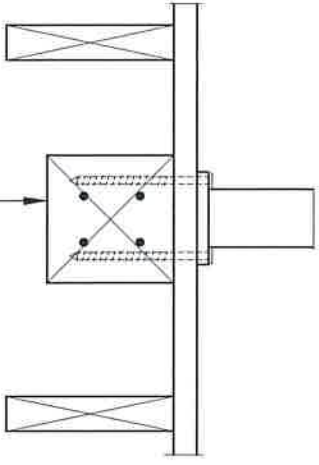
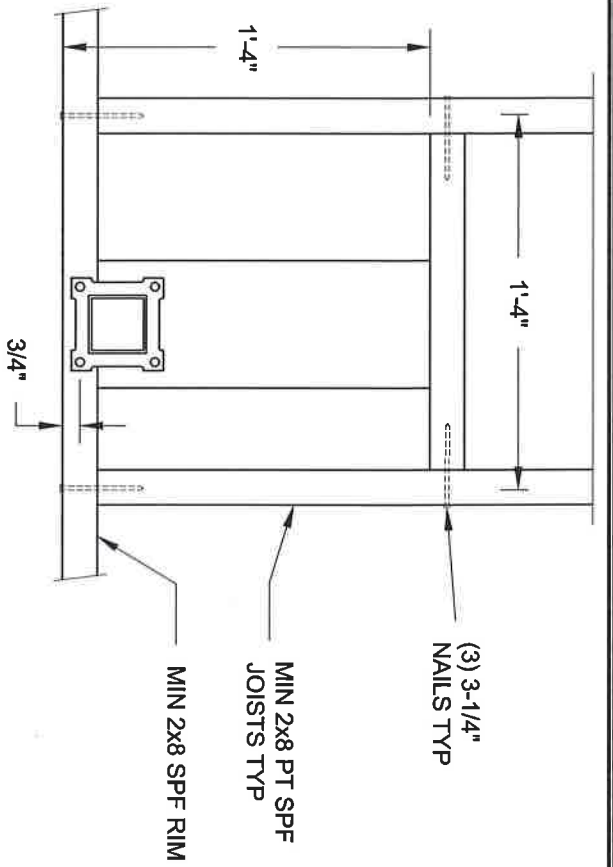
1  
S3

**BOTTOM CONNECTION DETAIL  
AT POST**

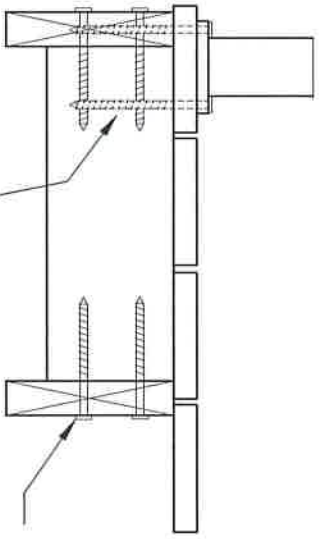


FOR PRODUCT INQUIRIES  
CONTACT LIV BUILDING  
PRODUCTS AT  
905-852-3733

SCALE:		ENGINEER'S SEAL		PROJECT:	
DATE:	JUNE 2019				
DRAWN	CHECKED		PROJECT No.:	DRAWING No.:	
		GLASS RAIL SYSTEM		S3	



6x6 SPF PT BLOCK



(4) 8 x 150 GRK RSS SELF-DRILLING SCREWS

(4) 3/8" DIA x 5" LAG SCREWS EACH END



1  
S4

POST ANCHORAGE

FOR PRODUCT INQUIRIES  
CONTACT LIV BUILDING  
PRODUCTS AT  
905-852-3733

SCALE:		ENGINEER'S SEAL		PROJECT:	
DATE:	JUNE 2019	 GLASS RAIL SYSTEM		PROJECT No.:	DRAWING No.:
DRAWN	CHECKED				S4