

Store Name:

Contact Name:Phone #:

QUOTE REQUEST

Email:

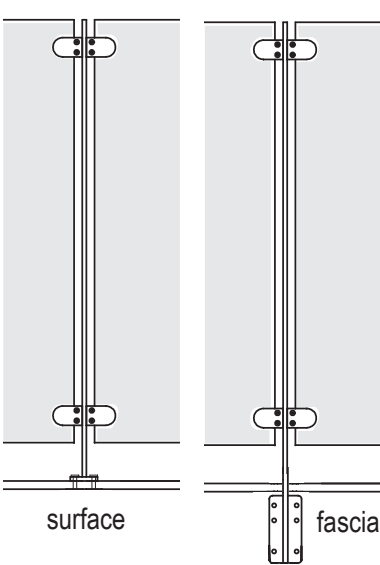
Project Name:

GLASS *check one* 10mm for posts & connectors 12mm for spigots & stand offs * Low Iron * Frosted * Tinted *

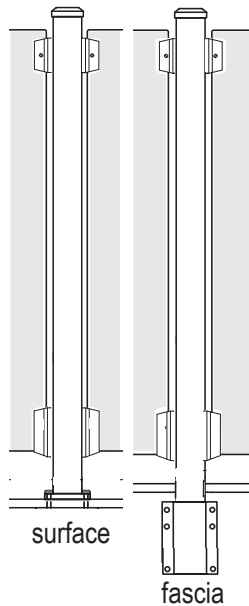
RAIL HEIGHT *check one* 42" (standard) 36" * other * _____ (provide desired rail height)

POSTS *check one*

INVISIPOST

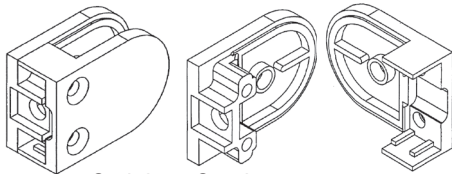


VISTI POST

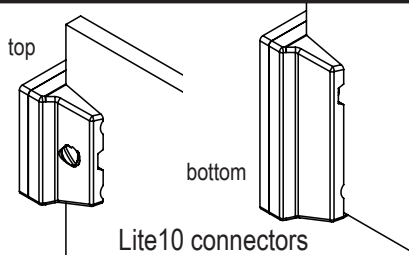


- Surface-mount VISTI Post, 2 1/4", Black Powder-Coated Aluminum
- Surface-mount VISTI Post, 2 1/4", White Powder-Coated Aluminum
- Fascia-mount VISTI Post, 2 1/4", Black Powder-Coated Aluminum
- Fascia-mount VISTI Post, 2 1/4", White Powder-Coated Aluminum
- Surface-mount ALX Brushed Titanium (Aluminum), 2 1/2"
- Surface-mount INVISIPOST, Stainless Steel
- Surface-mount INVISIPOST, Black powder-coated aluminum
- Surface-mount INVISIPOST, White powder-coated aluminum
- Fascia-mount INVISIPOST, Stainless Steel
- Fascia-mount INVISIPOST, Black powder-coated aluminum
- Fascia-mount INVISIPOST, White powder-coated aluminum
- 4X4 (or other) Wood Posts - *Not available from InvisiRail*

CONNECTORS *check one*



Stainless Steel connectors

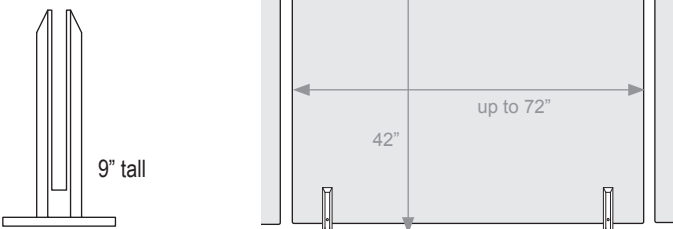


Lite10 connectors

NOTE: *Stainless Steel is the only option for InvisiPosts*

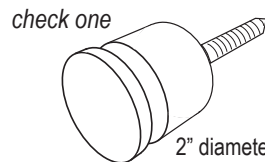
- Lite10 (nylon), Black
- Lite10 (nylon), White
- Stainless Steel, standard brushed finish
- Stainless Steel, Black PVD finish
- Stainless Steel, powder-coated finish*

SPIGOTS *check one*

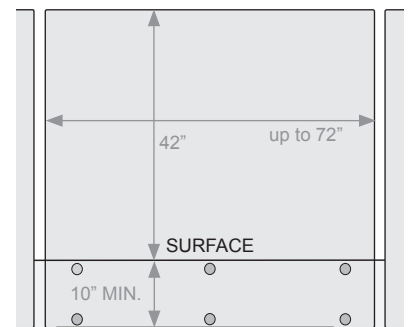


- Stainless Steel, standard brushed finish
- Stainless Steel, Black powder-coated finish *

STAND OFFS



- Stainless Steel, standard brushed finish
- Stainless Steel, Black powder-coated finish *



STAIR RAIL *check one* Custom glass (template req'd)* Aluminum balusters (pickets) None

GATE *check one*

Glass Aluminum None
_____ (width)

STAIR SECONDARY HAND RAIL *check one*

- SS 1 5/8" pipe Black / White Aluminum None

HORIZONTAL TOP RAIL *check one*

- SS 1 5/8" pipe deck board None

* EXPECT LONGER WAIT TIMES