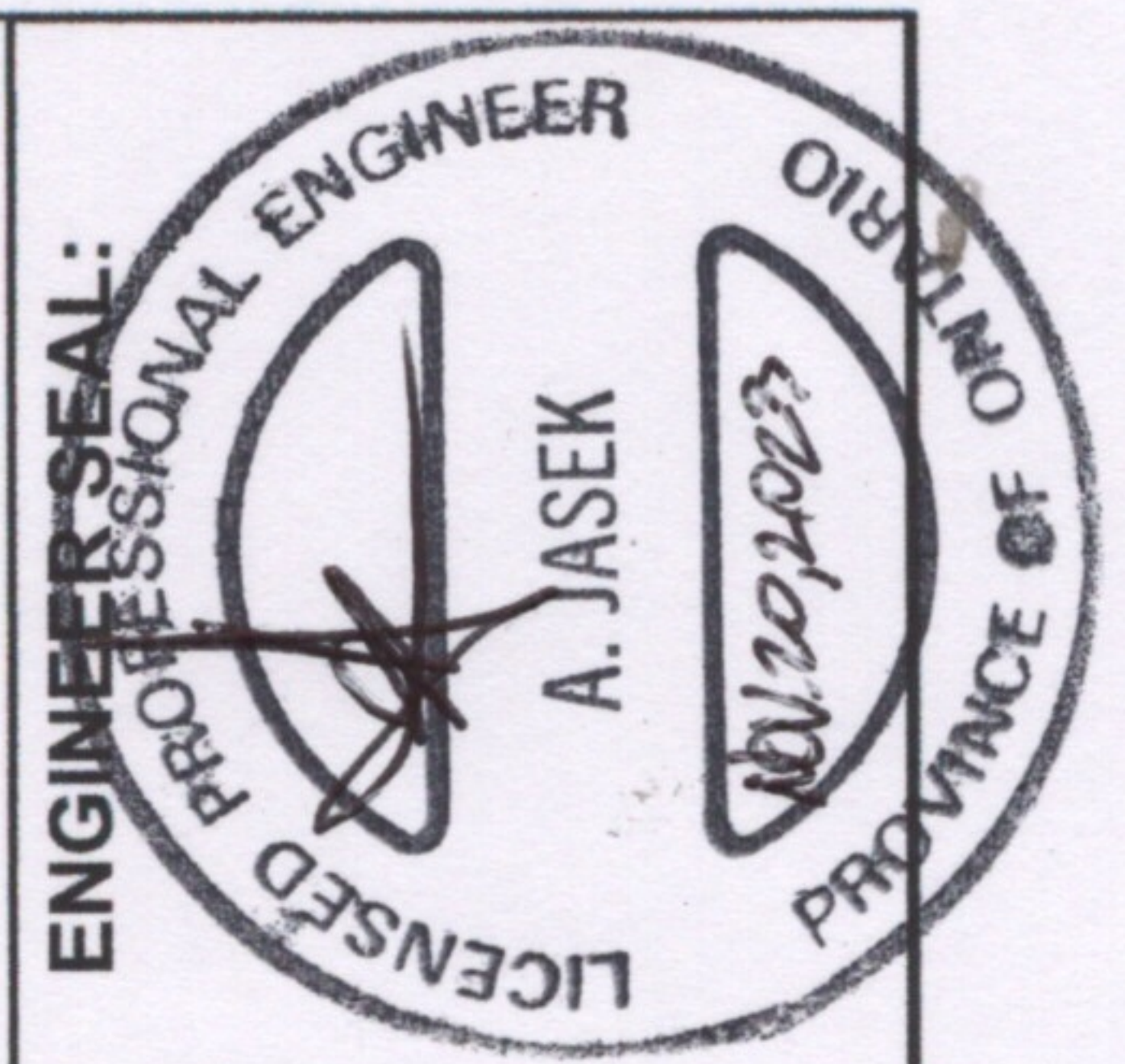


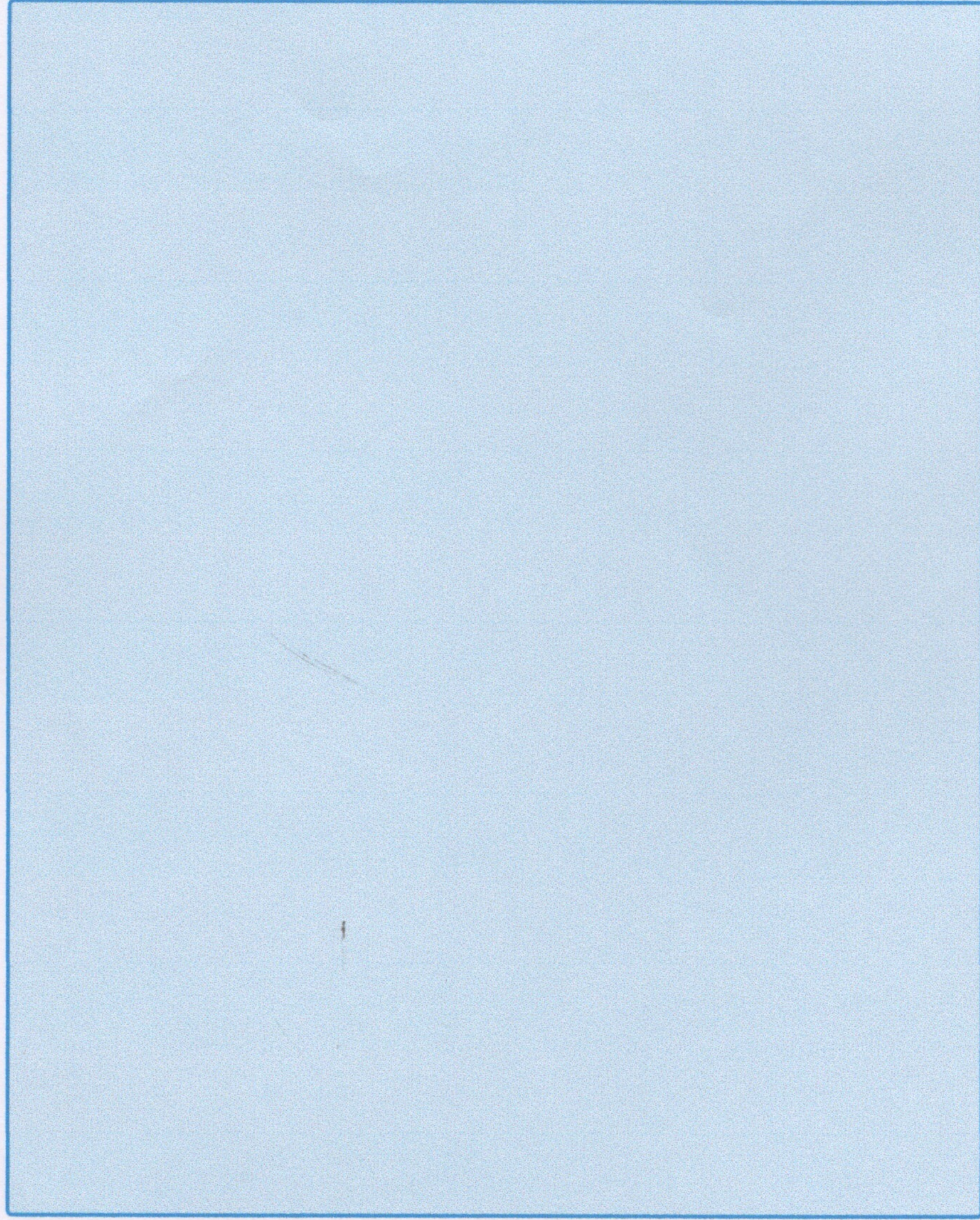
SPIGOT MOUNT DETAIL

- NOTES:
- ALL INFILL PANELS TO BE 12MM TEMPERED AND HEAT SOAKED GLASS IN ACCORDANCE WITH CAN/CGSB-12.1-M
 - ALL DESIGN LOADS COMPLIANT WITH OBC 4.1.5.14
 - SITE VERIFY ALL DIMENSIONS



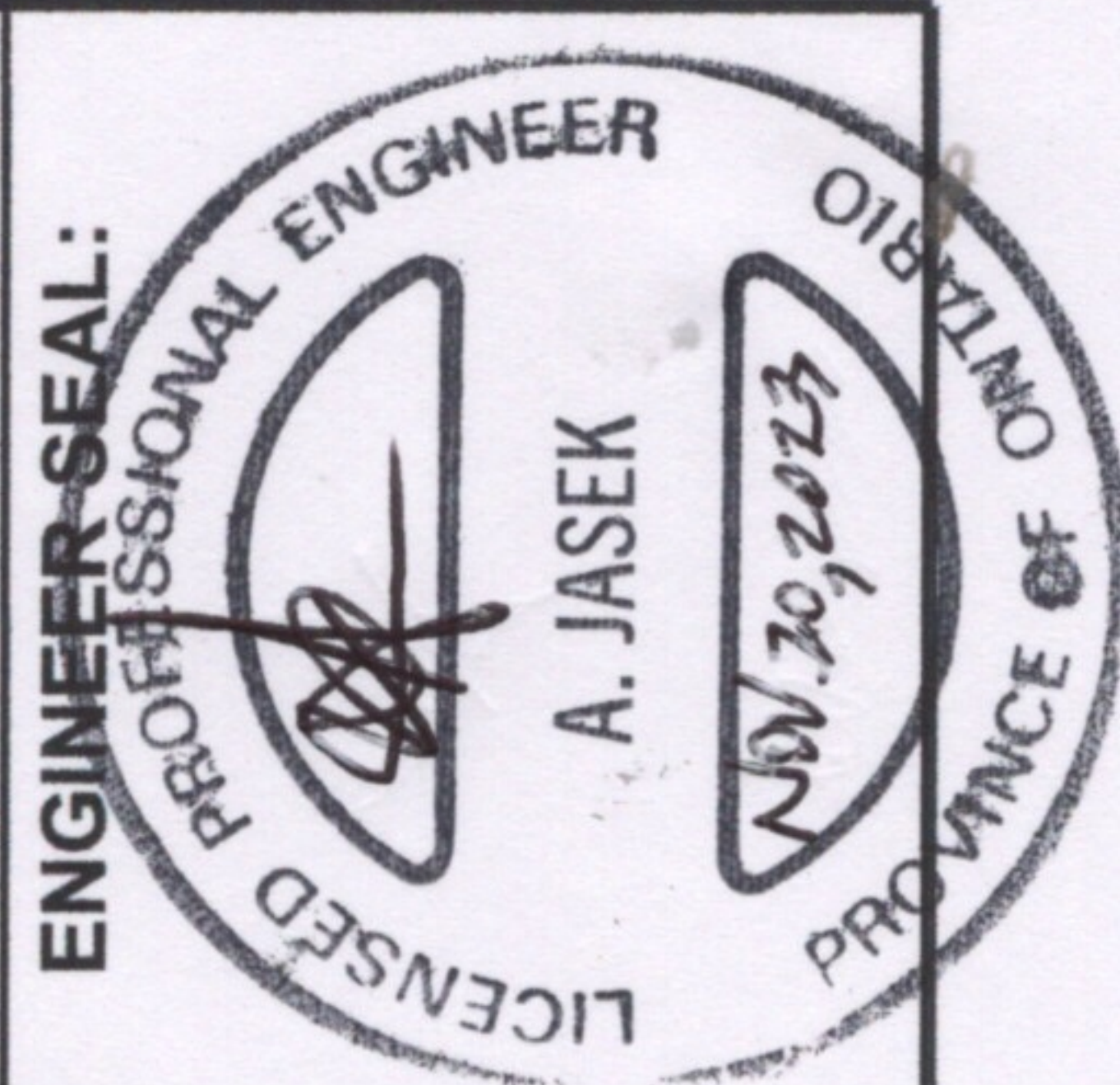
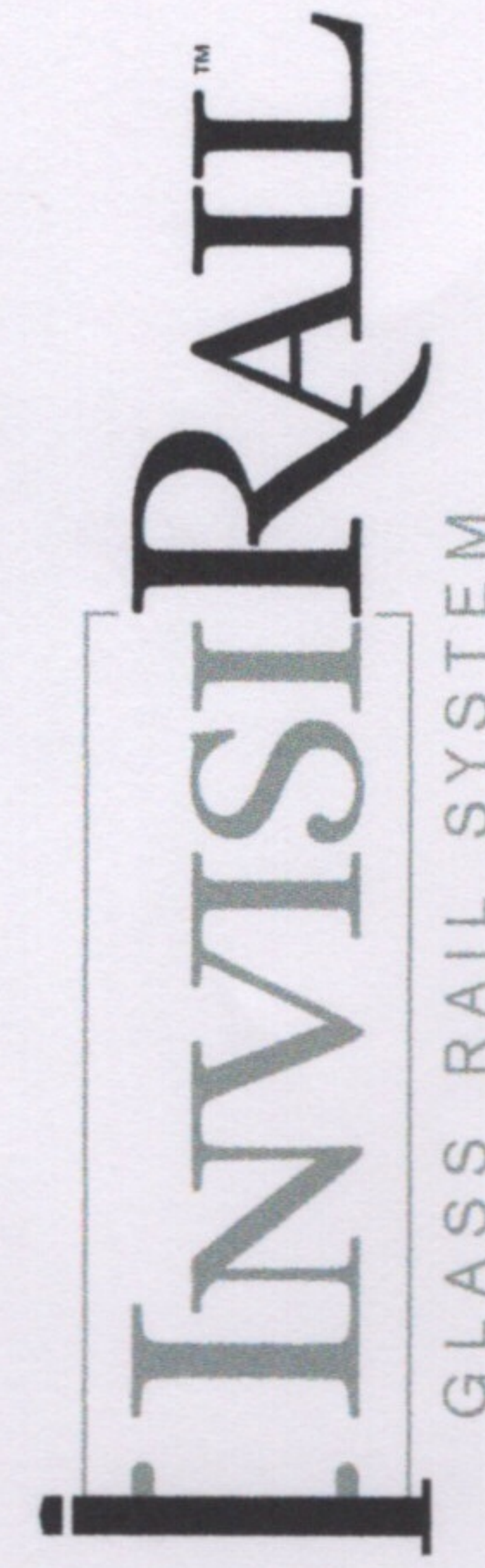
STANDARD PANELS
48", 51", 54", 57", 60", 63", 66"

CUSTOM PANELS
6.75" - 47"

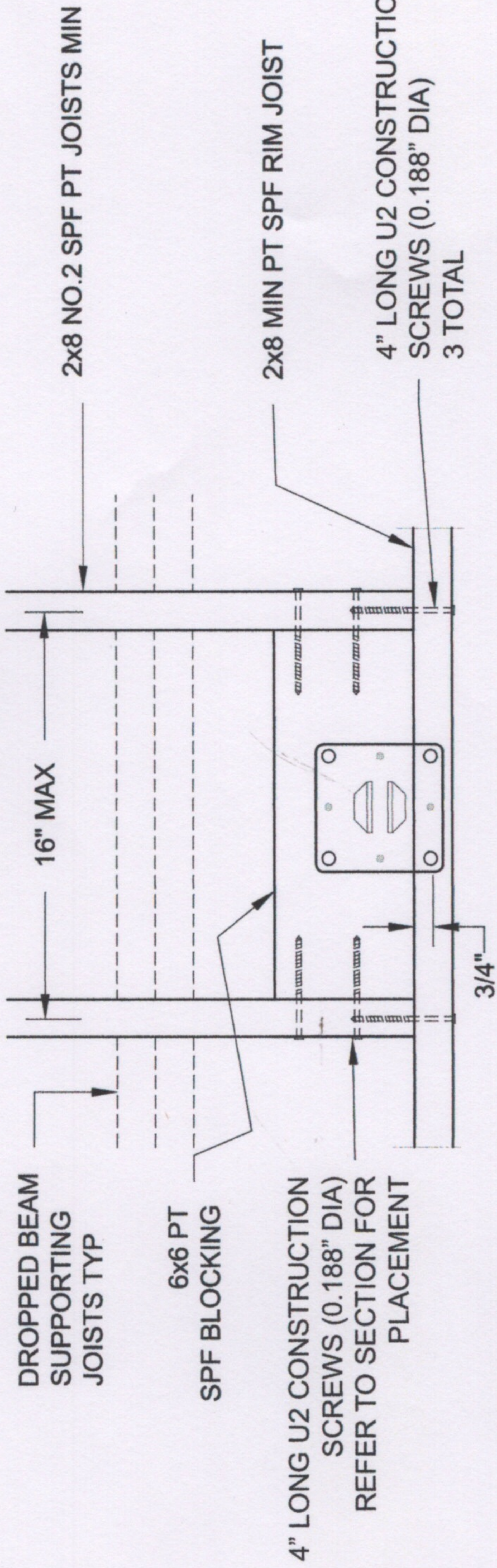


39.25"

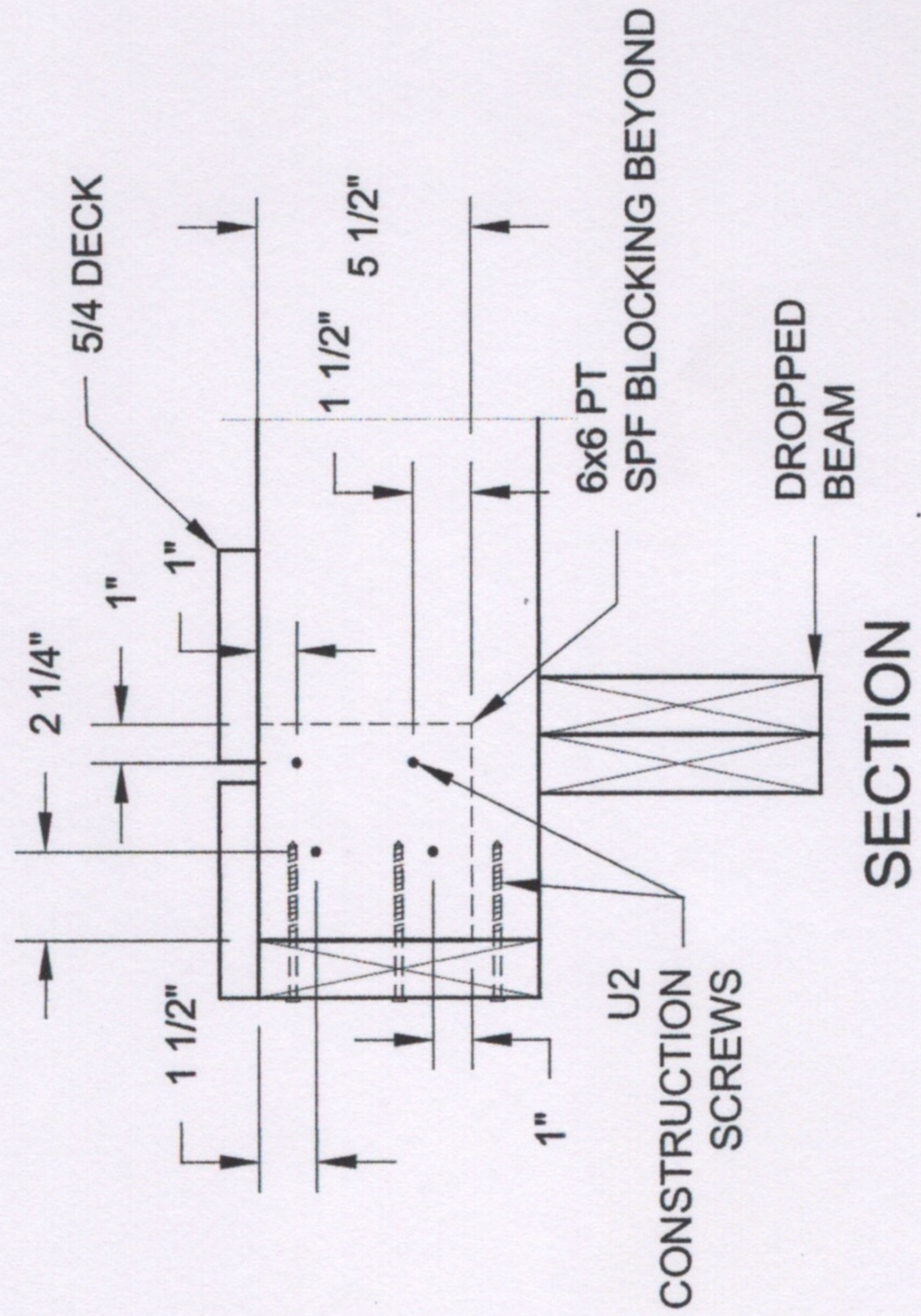
**12mm TEMPERED
AND HEAT SOAKED GLASS
POLISHED EDGES
SAFETY CORNERS**



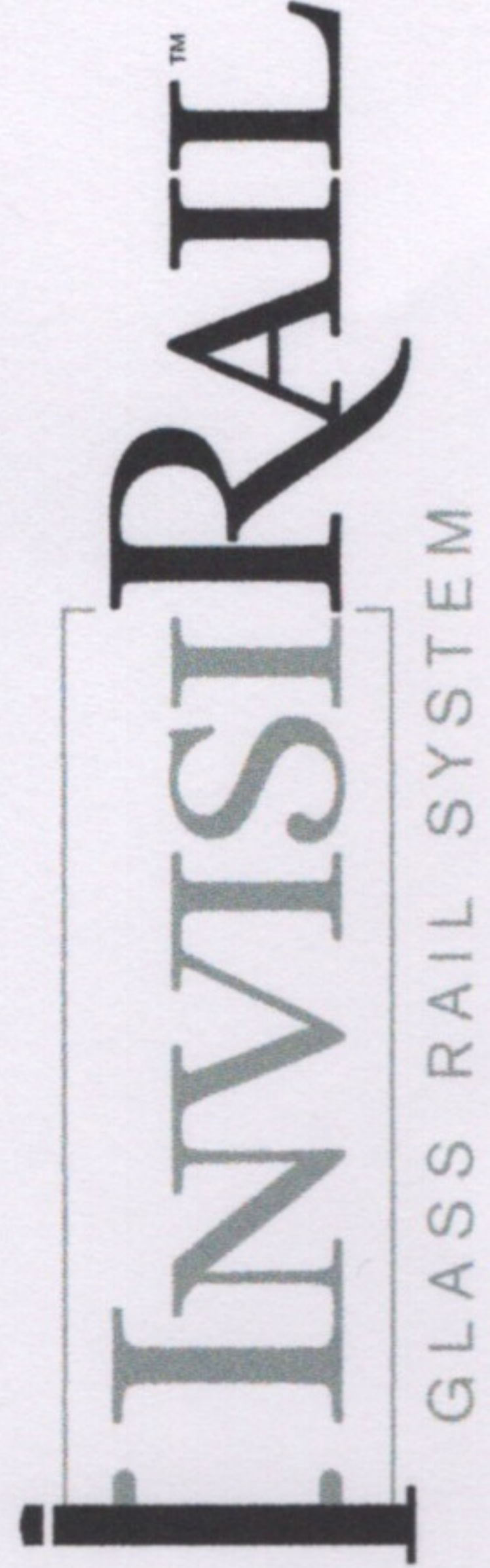
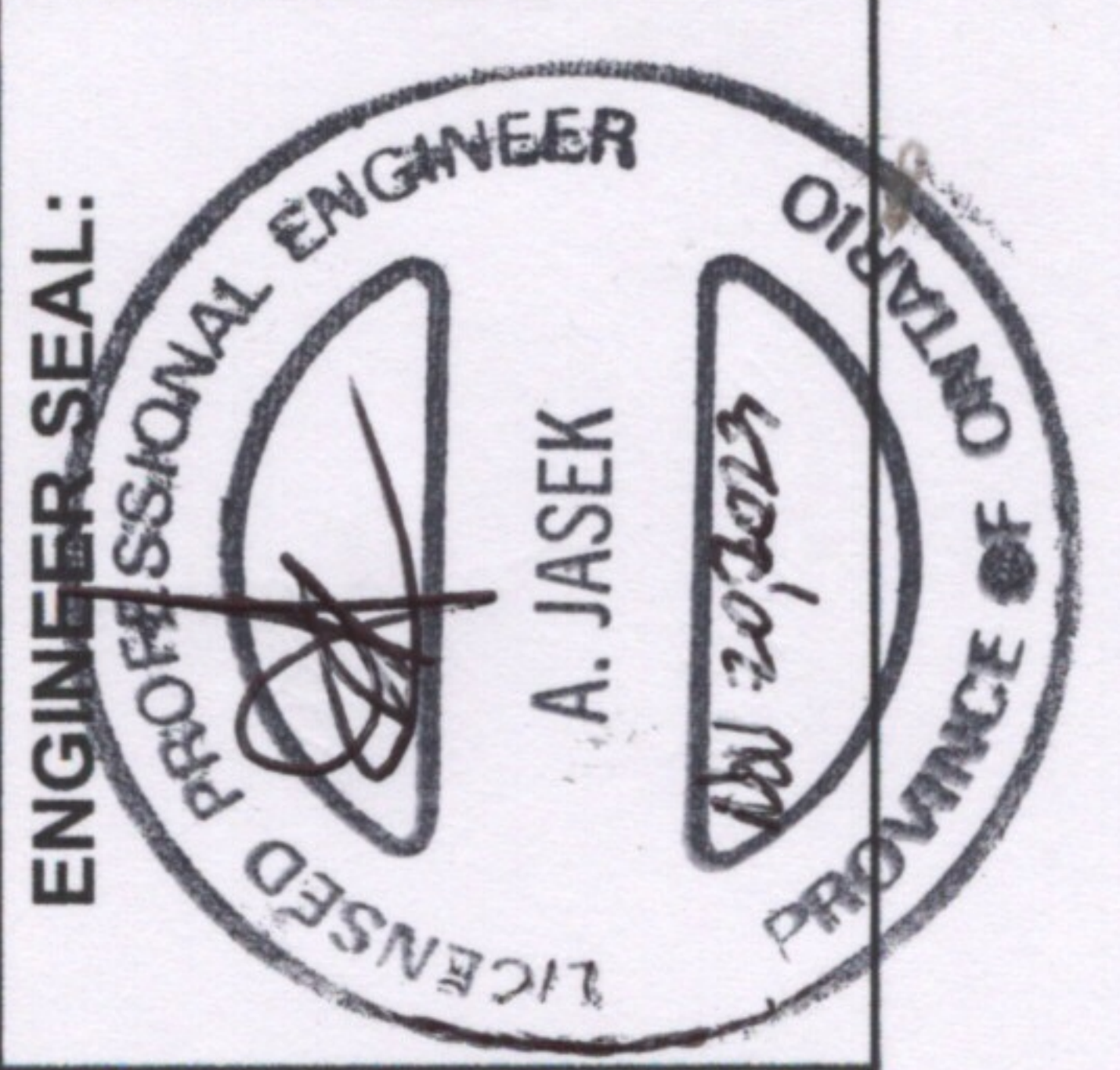
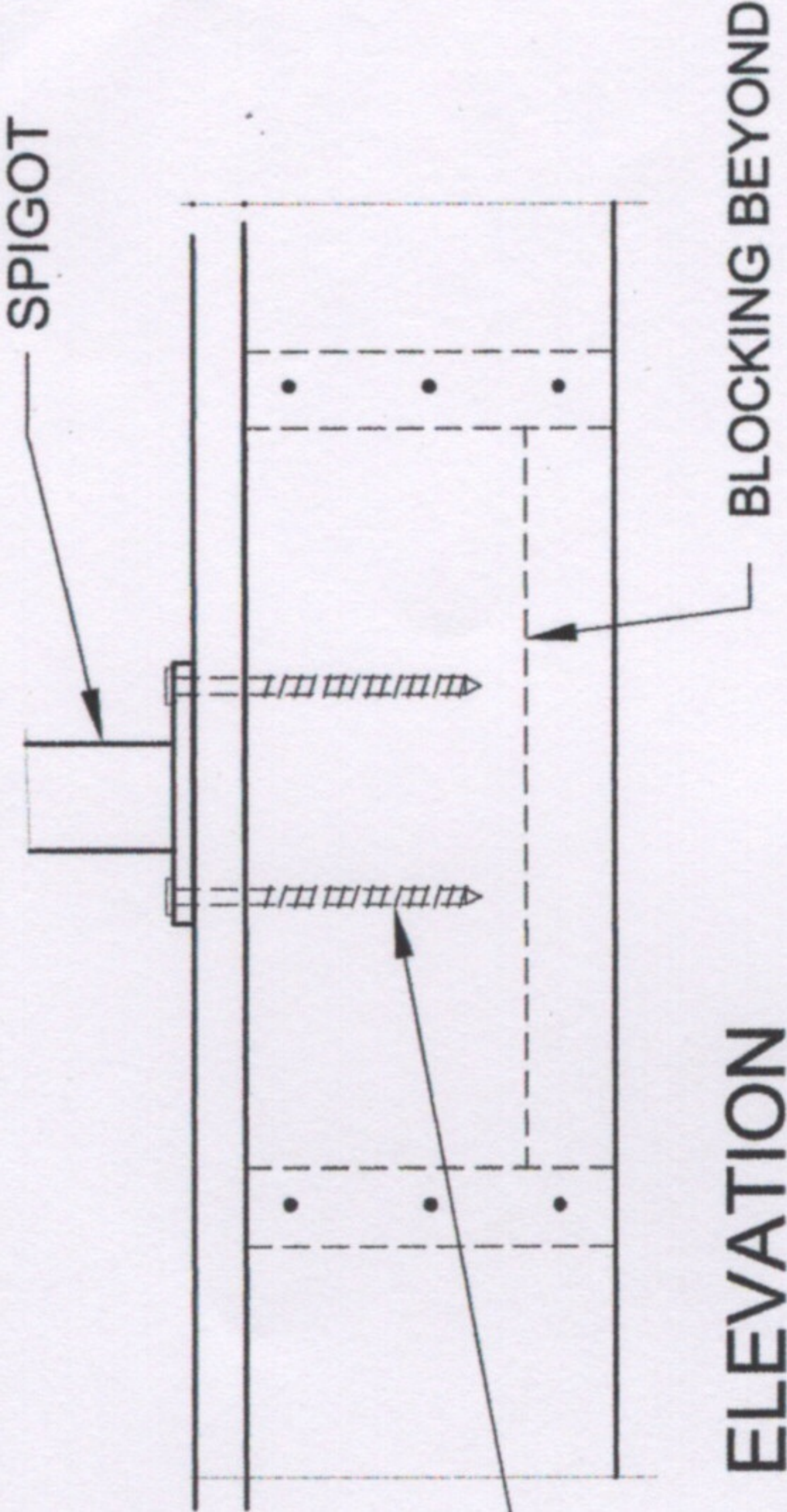
WOOD SURFACE CONNECTION



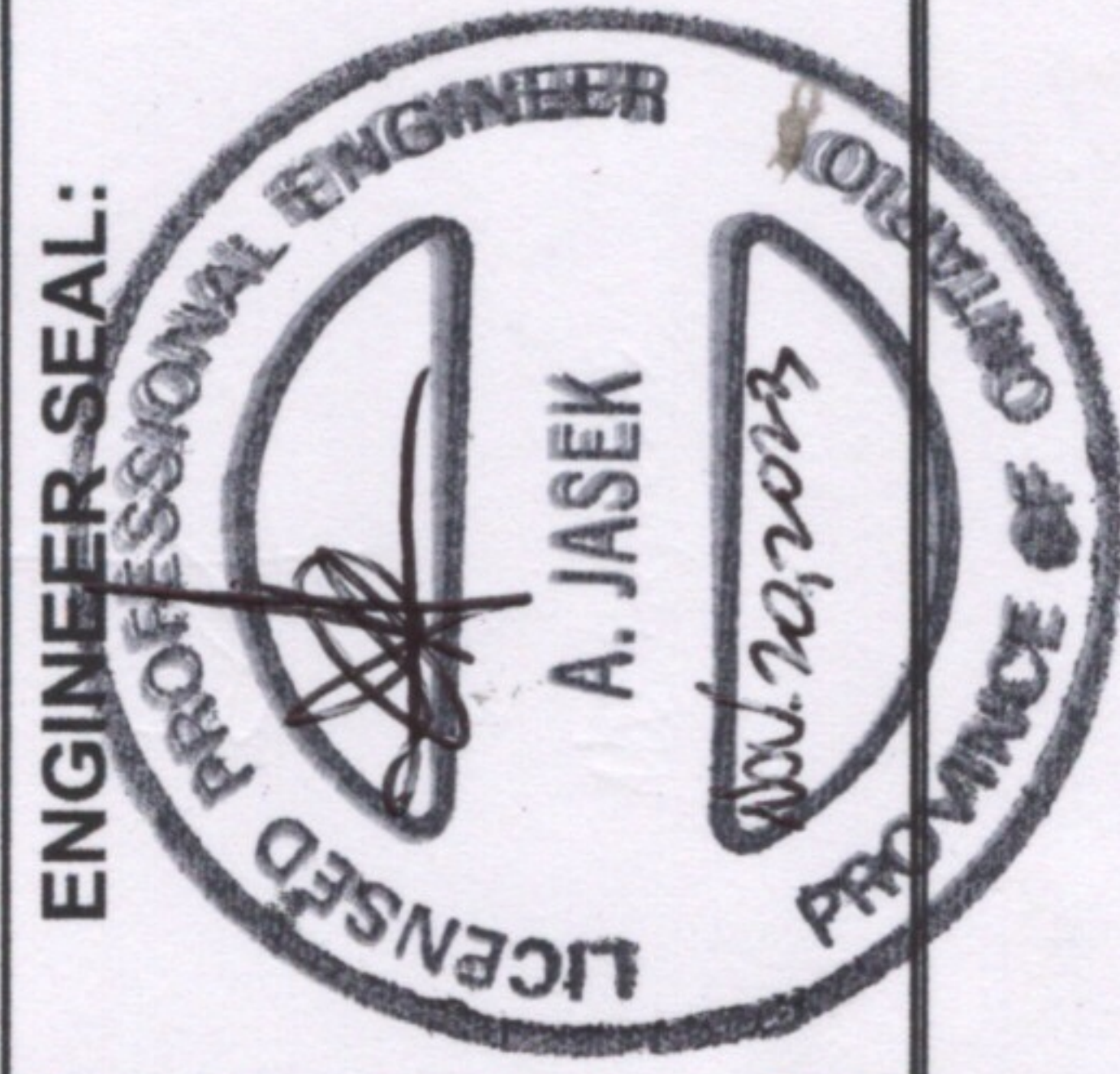
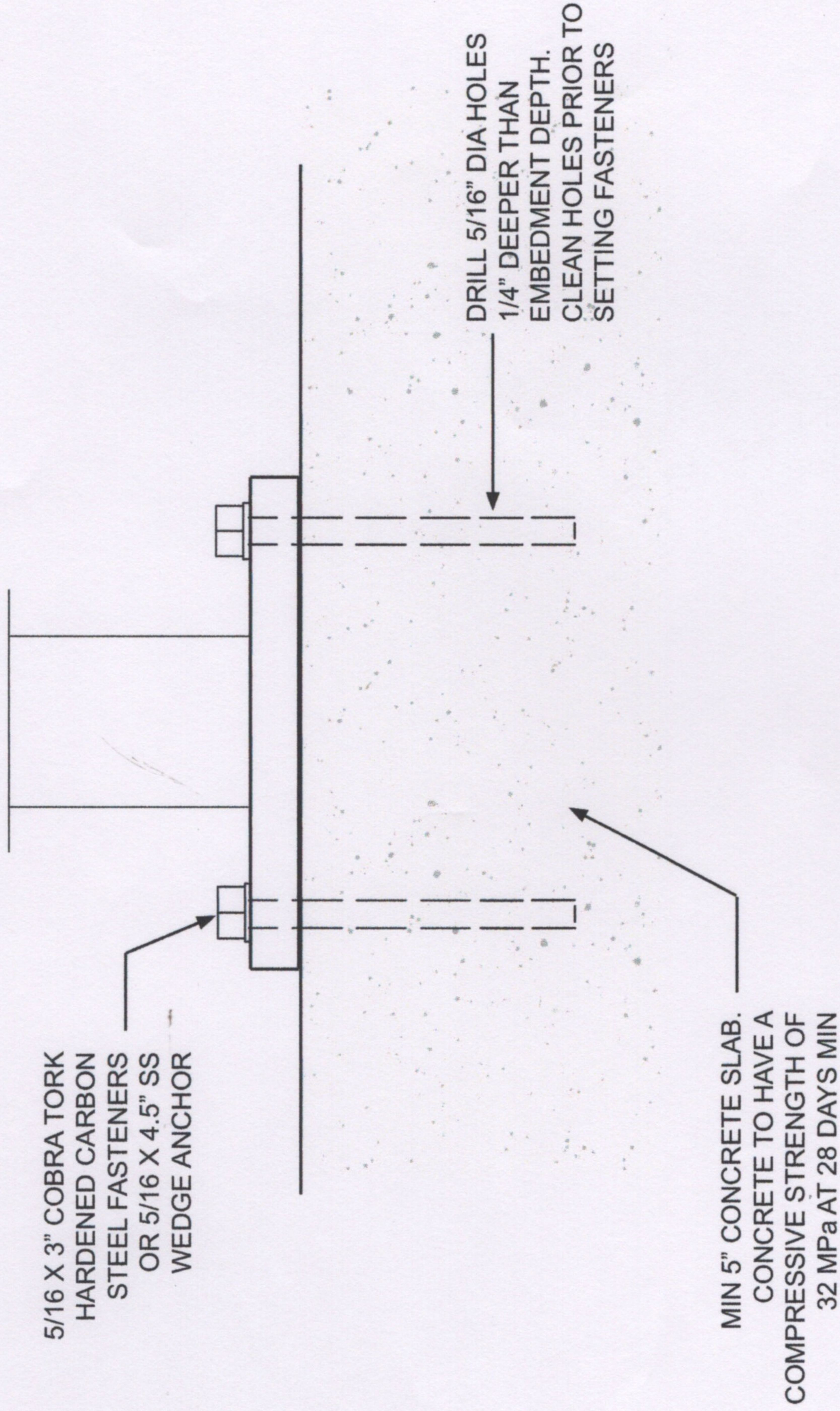
PLAN VIEW



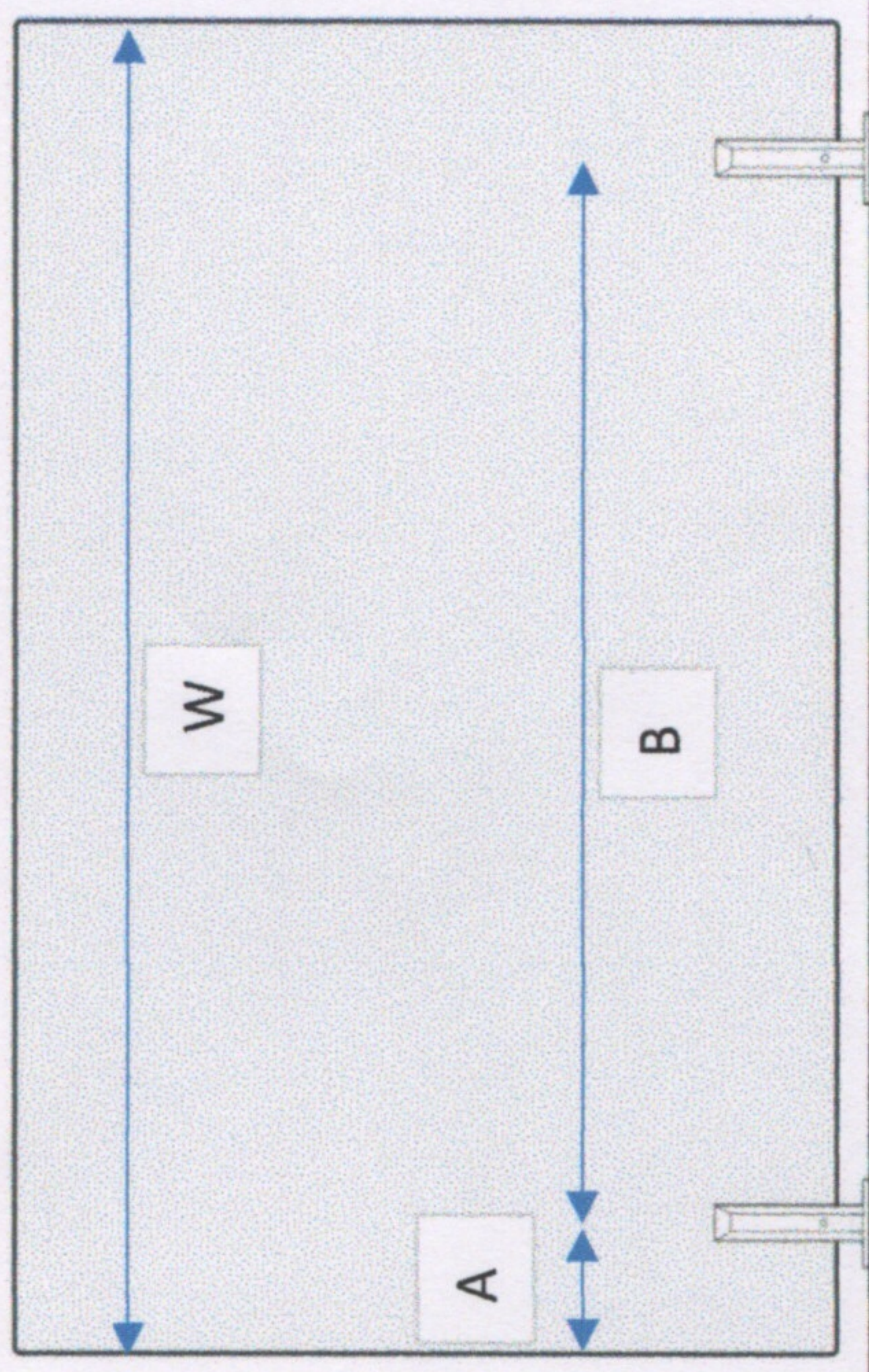
SECTION



CONCRETE SURFACE CONNECTION

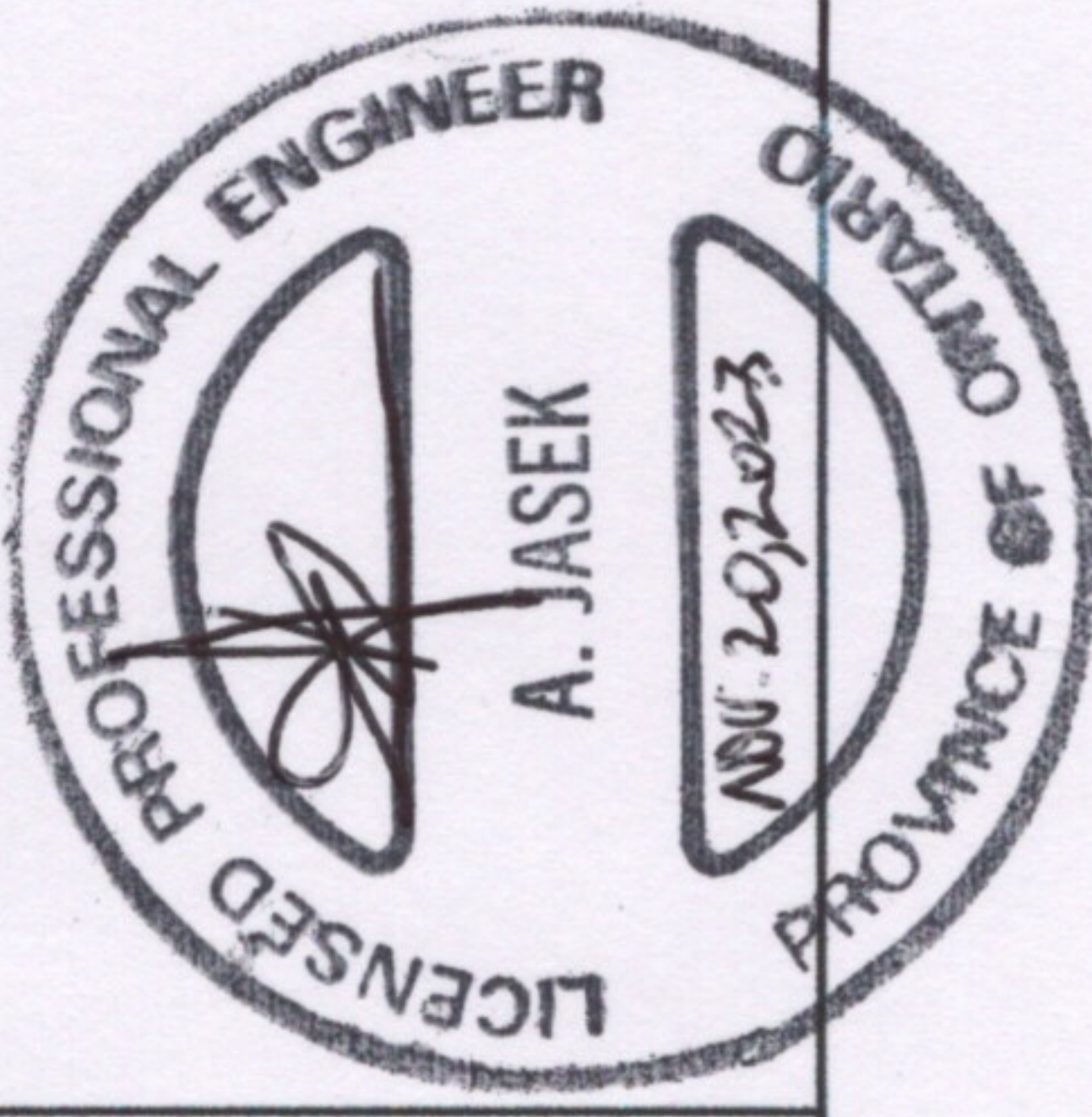


SPIGOT SPACING



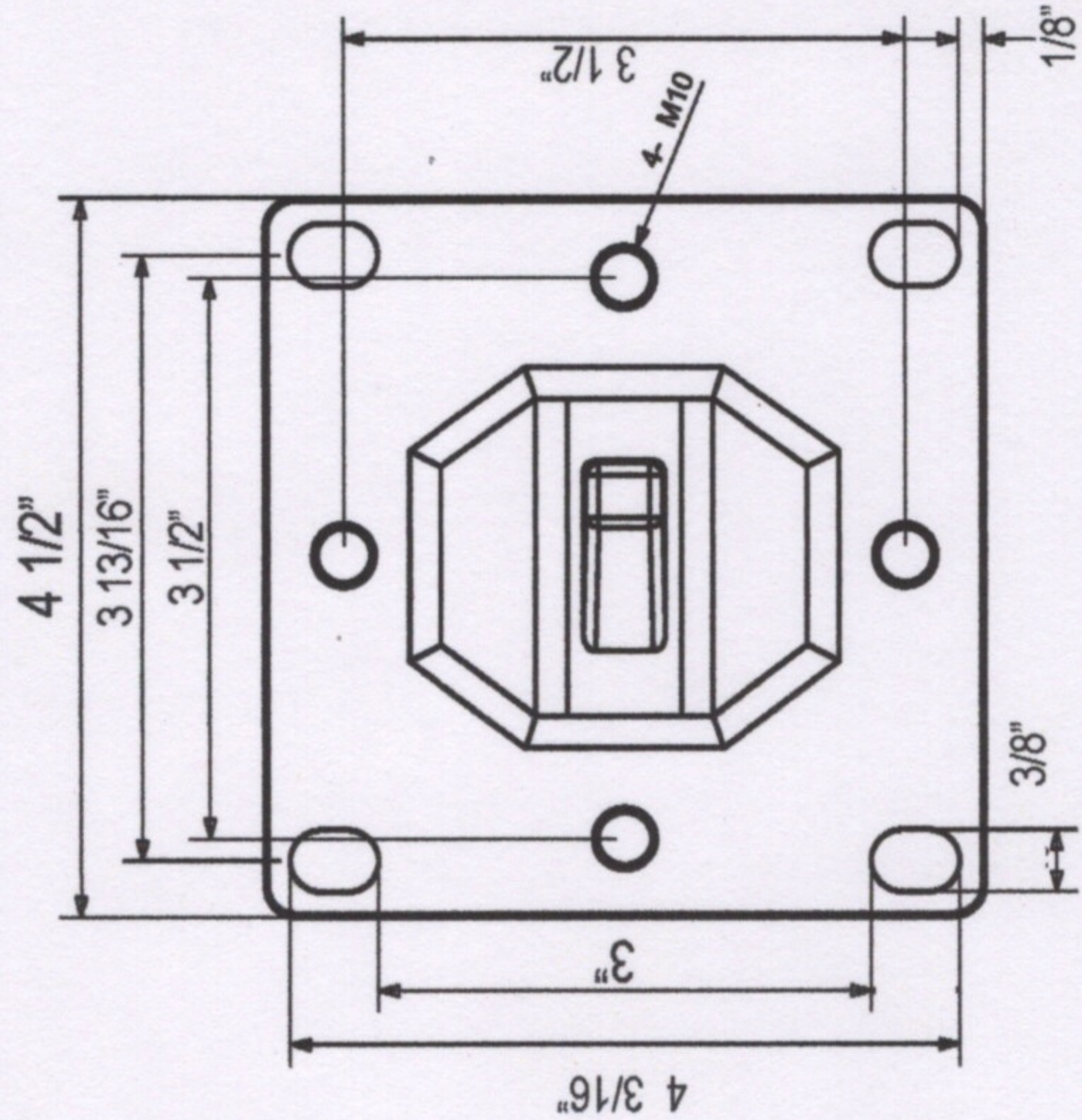
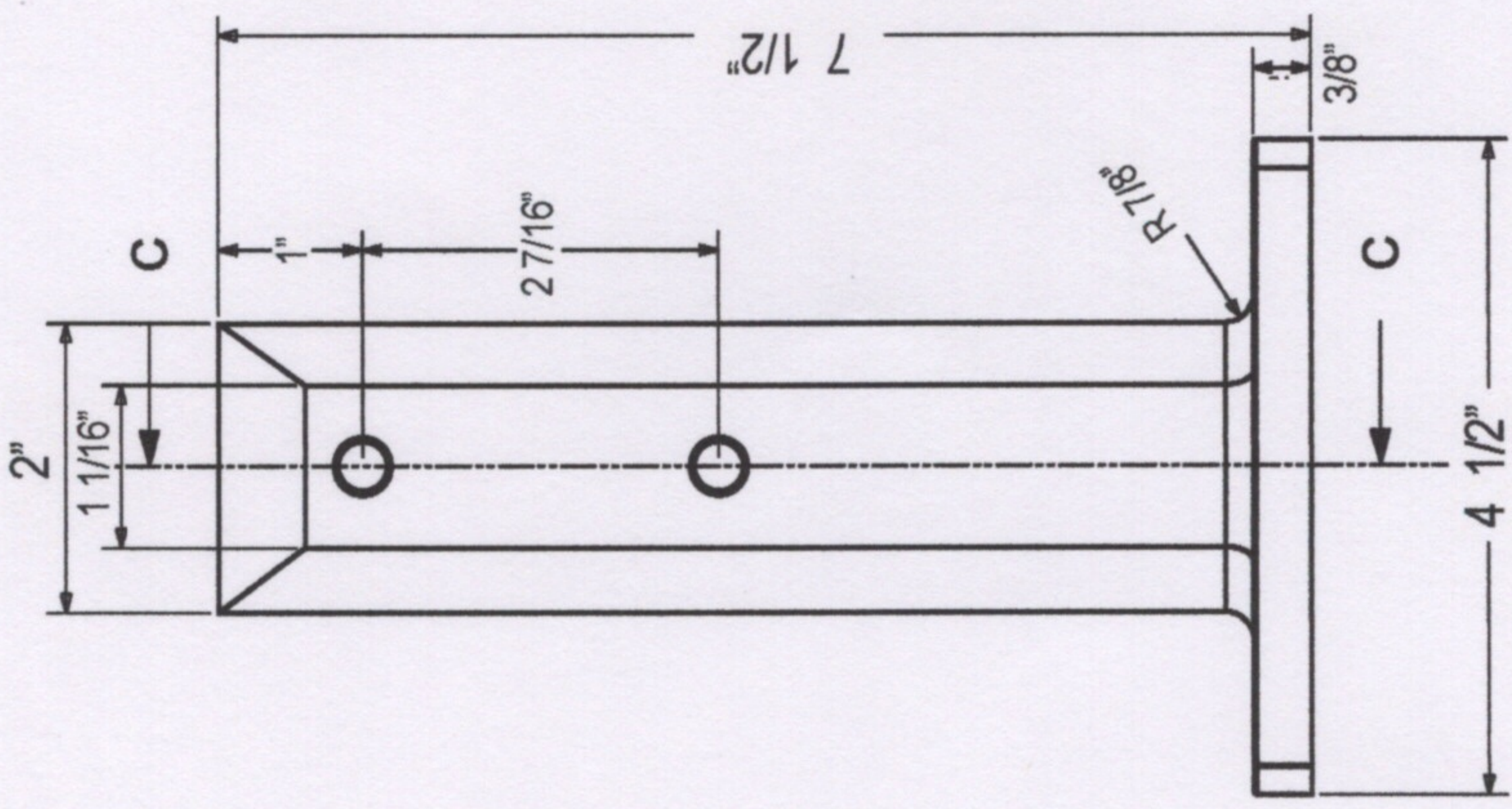
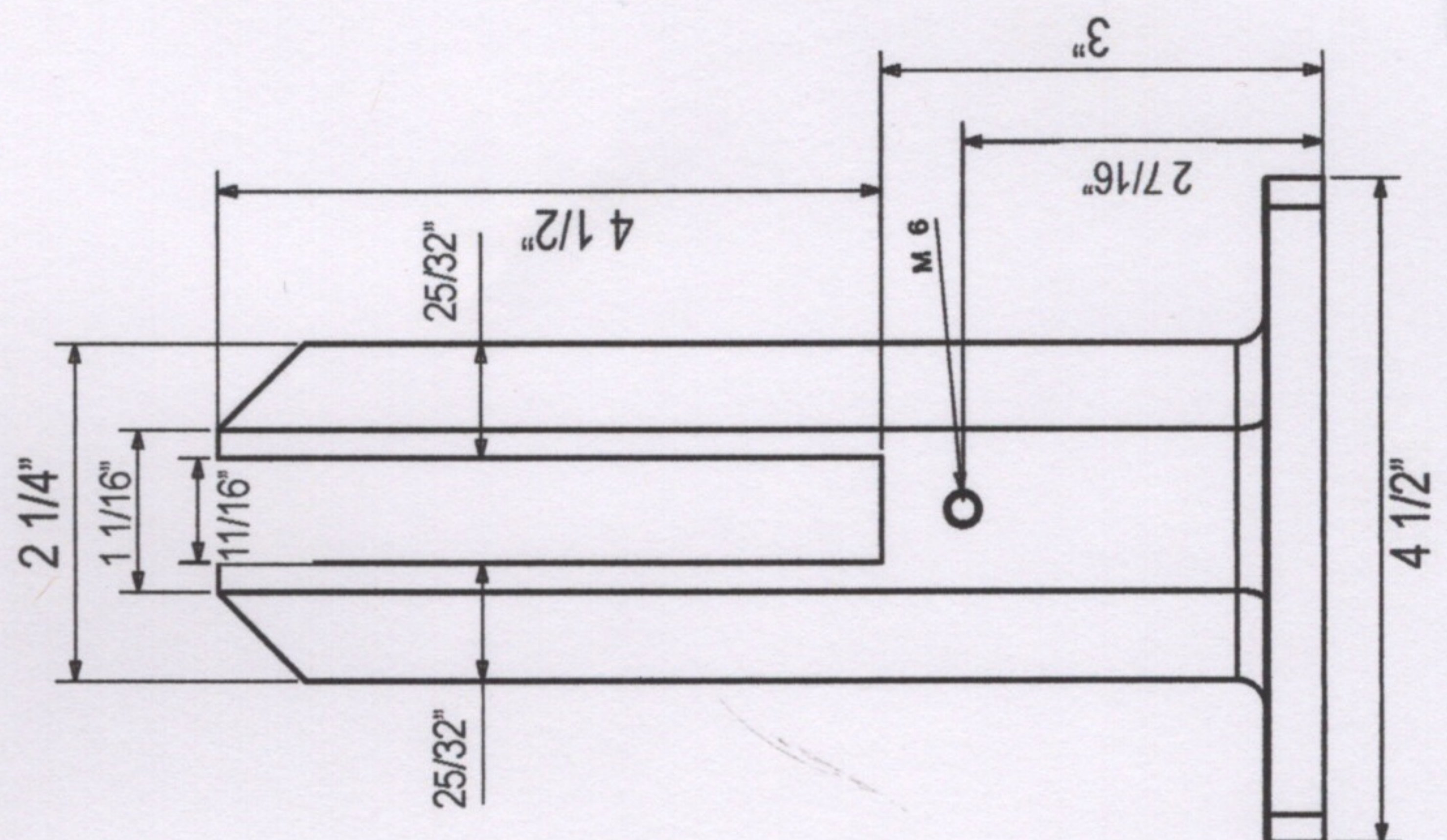
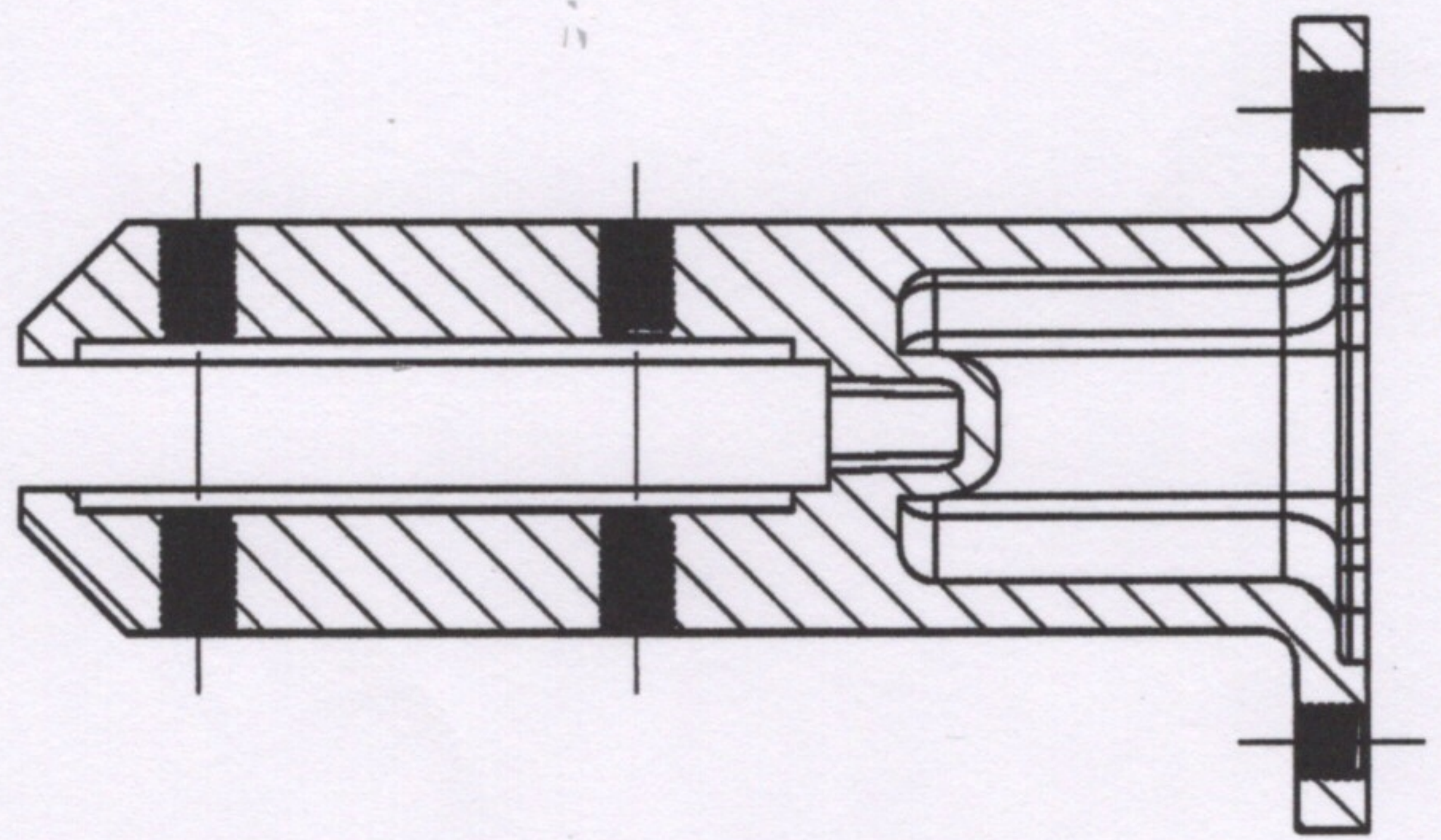
GLASS WIDTH "W"	SPIGOT CENTRE IN FROM EACH END "A"	SPIGOT O/C "B"
66	6	54
64	6	52
62	6	50
60	6	48
58	6	46
56	6	44
54	6	42
52	6	40
50	6	38
48	6	36
46	6	34
44	6	32
42	6	30
40	6	28
38	6	26
36	6	24
34	5	24
32	5	22
30	5	20
28	5	18
26	5	16
24	5	14
22	4	14
20	4	12
18	4	10
16	3	10
14	3	8
12	3	6
10	2.5	5
9.375	2.3125	4.75
6.75	1	4.75

ENGINEER SEAL:



INVISIRAILTM
GLASS RAIL SYSTEM

OUTSIDE EDGES OF GLASS LINED UP WITH OUTSIDE OF SPIGOT BASES
OUTSIDE EDGES OF GLASS LINED UP WITH OUTSIDE OF SPIGOT UPRIGHTS



2205 STAINLESS STEEL SQUARE DECK-MOUNT GLASS SPIGOT

