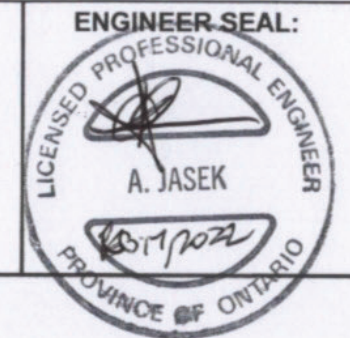


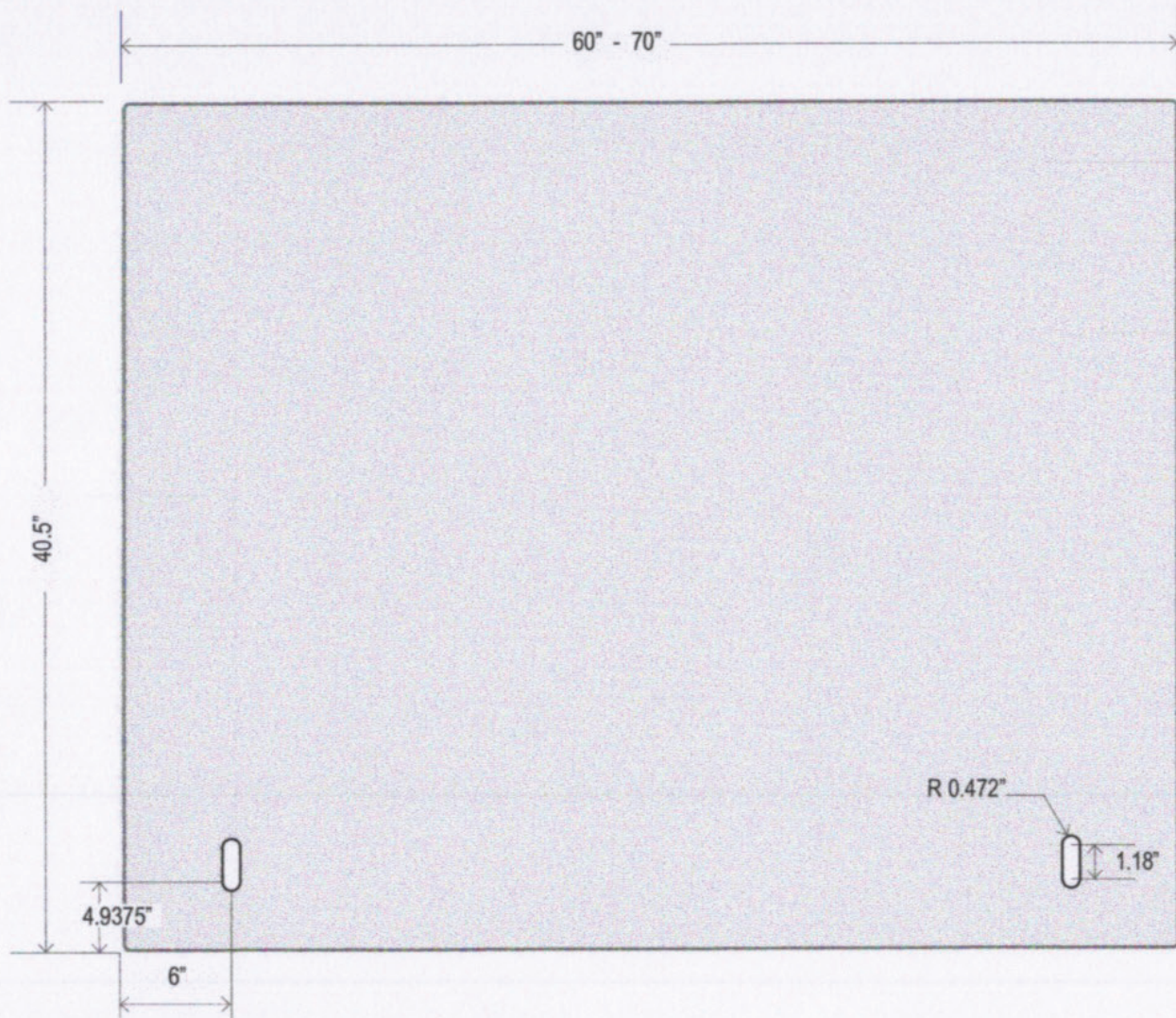
## SPIGOT MOUNT DETAIL

- NOTES:
- ALL INFILL PANELS TO BE 12MM TEMPERED GLASS IN ACCORDANCE WITH CAN/CSB-12.1-M
  - ALL DESIGN LOADS COMPLIANT WITH OBC 4.1.5.14
  - SITE VERIFY ALL DIMENSIONS

**INVISIRAIL™**  
GLASS RAIL SYSTEM

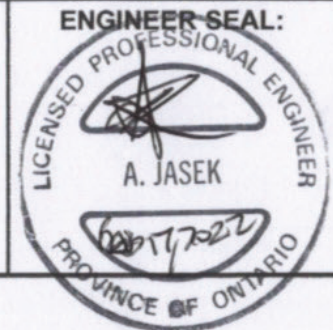




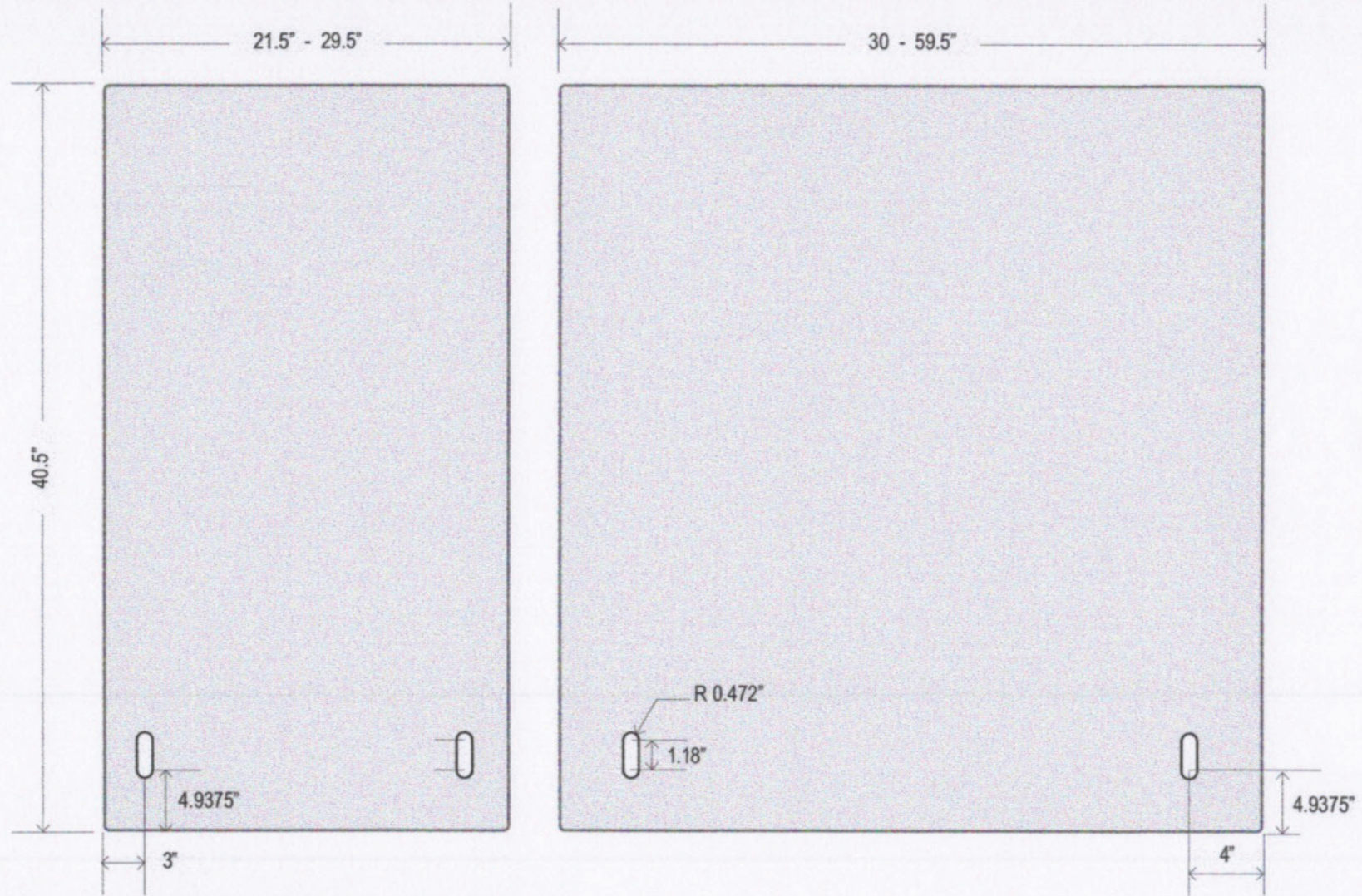


**12mm TEMPERED GLASS**  
**POLISHED EDGES**  
**SAFETY CORNERS**

**INVISIRAIL™**  
 GLASS RAIL SYSTEM







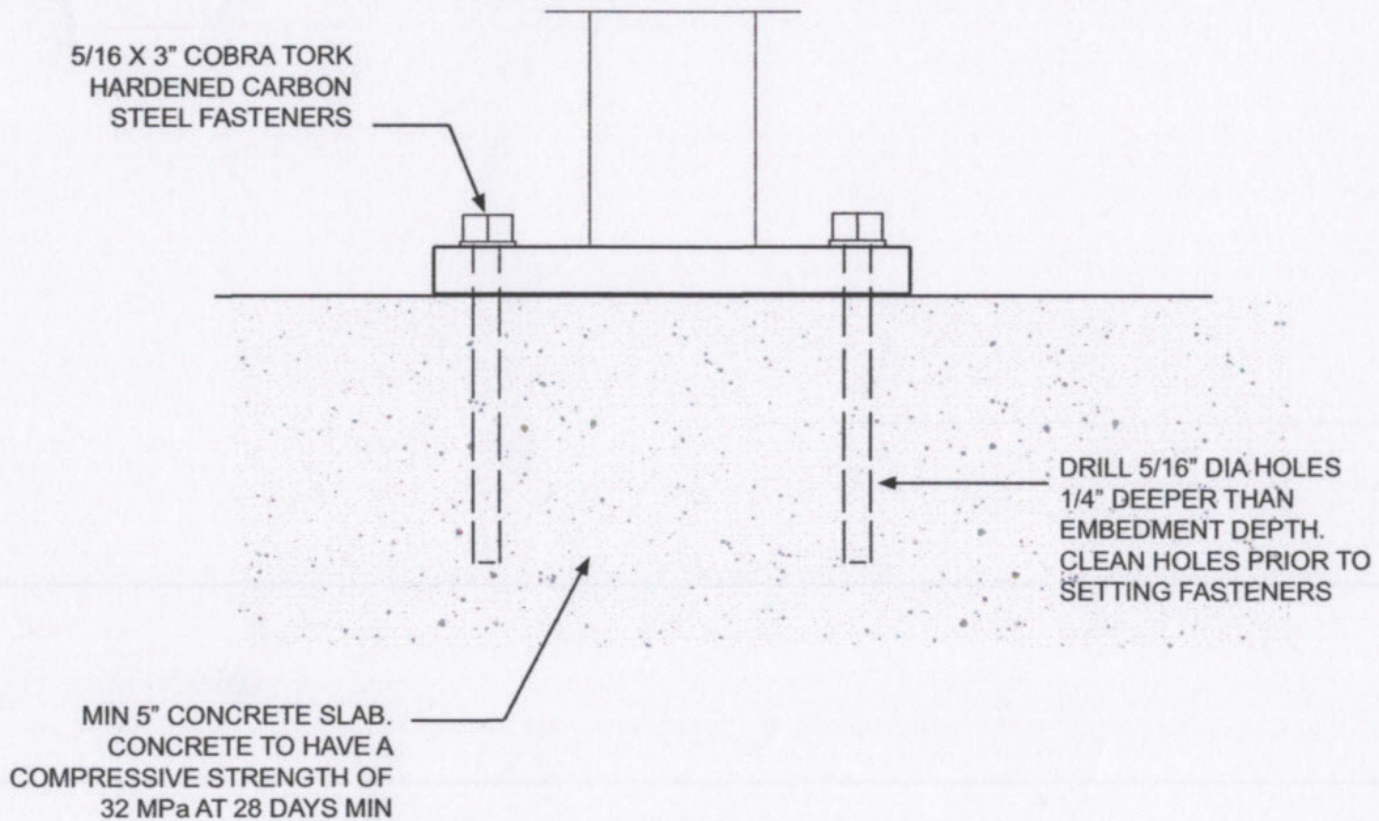
**12mm TEMPERED GLASS**  
**POLISHED EDGES**  
**SAFETY CORNERS**

**INVISIRAIL**  
 GLASS RAIL SYSTEM





# CONCRETE SURFACE CONNECTION

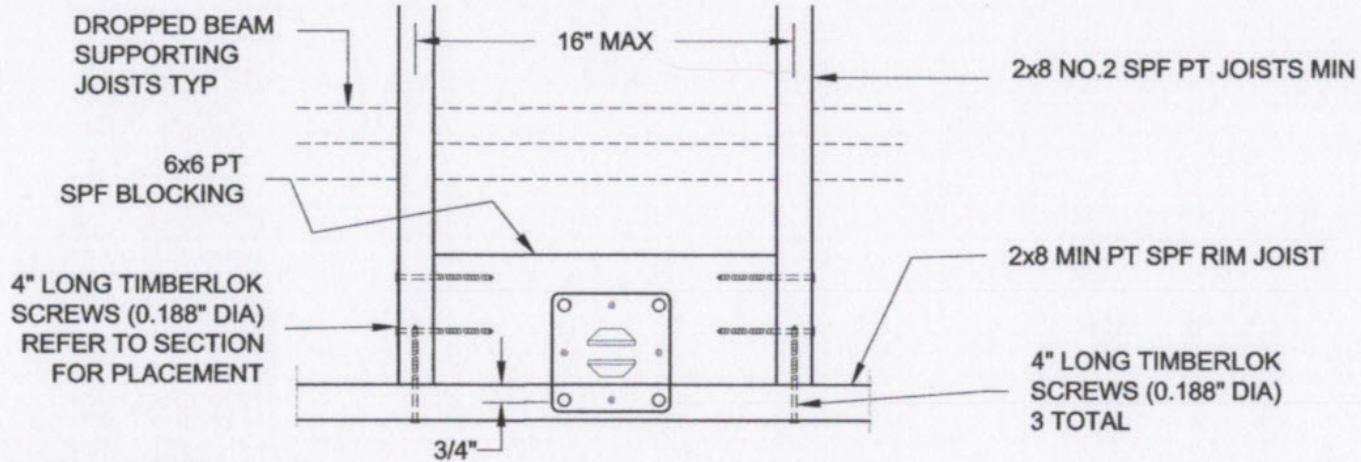


**INVISIRAIL**  
GLASS RAIL SYSTEM

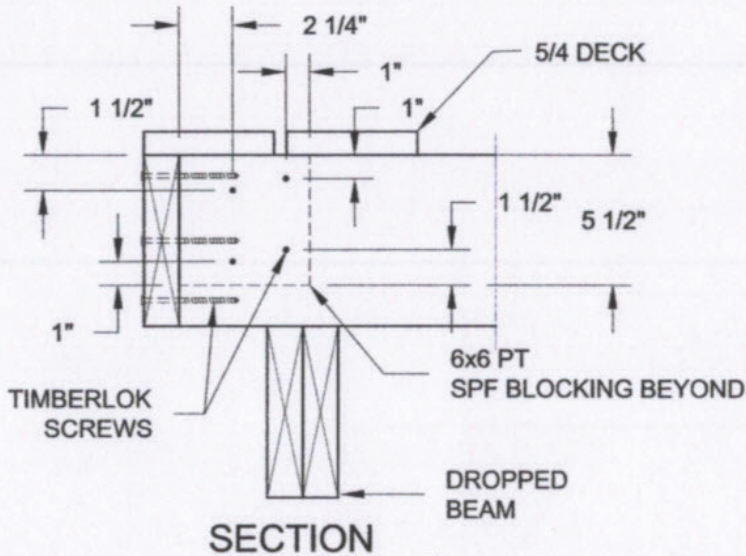




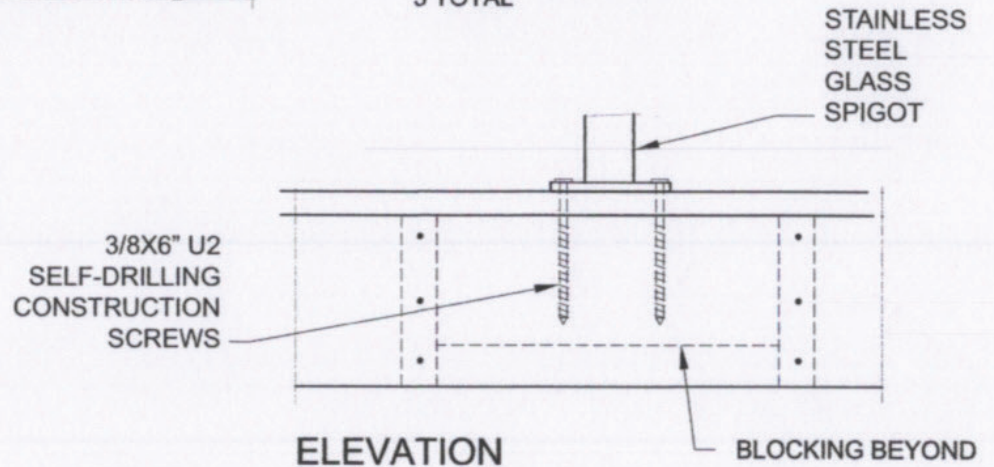
# WOOD SURFACE CONNECTION



PLAN VIEW

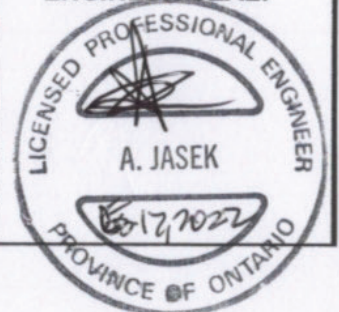


SECTION

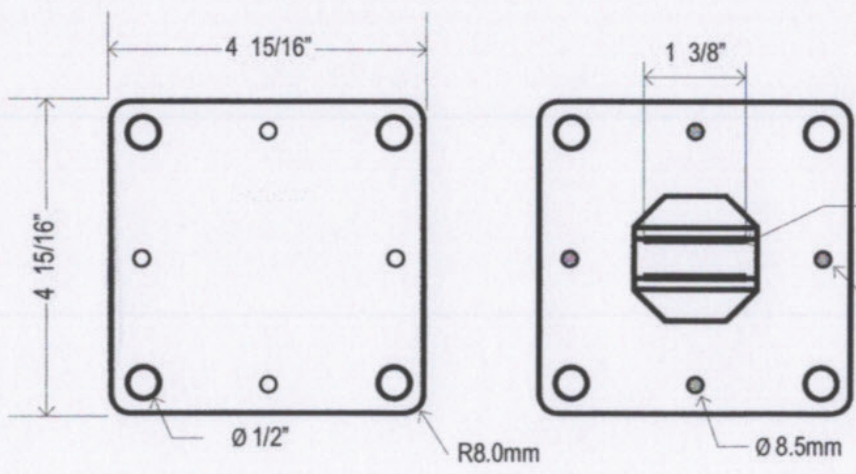
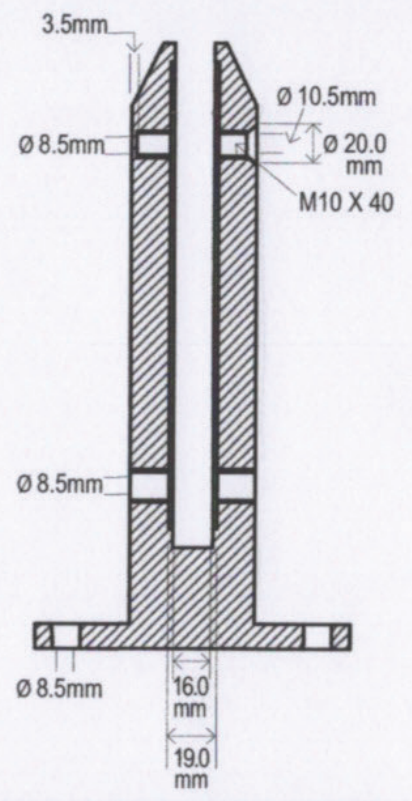
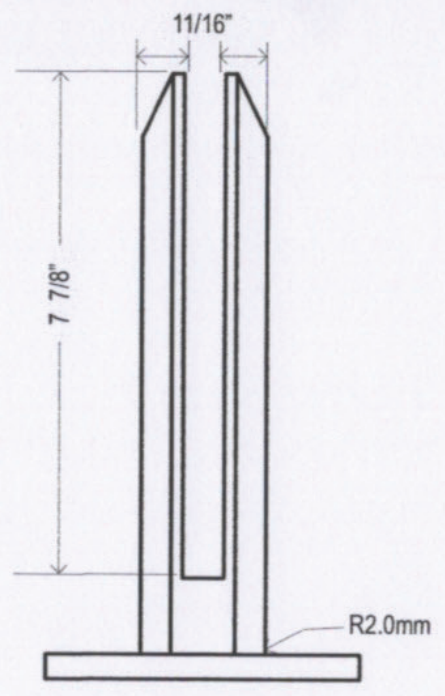
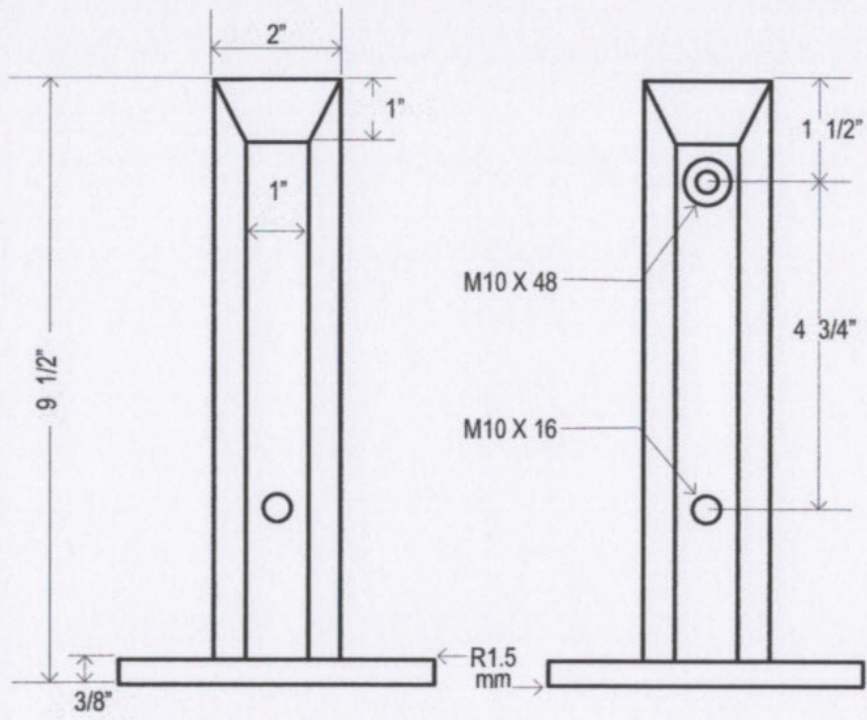


**INVISIRAIL**  
 GLASS RAIL SYSTEM

ENGINEER SEAL:







# 316 STAINLESS STEEL SQUARE DECK-MOUNT GLASS SPIGOT

